

# 360 SERIES THREE PIECE HIGH-PRESSURE TYPE

## SBVH360 Series

### Features

- Compact design
- High flow rate with maximum orifice
- Variety of End Connections
- Anti blow-out stem design
- Each and every valve is tested at the factory
- Fire safety design available



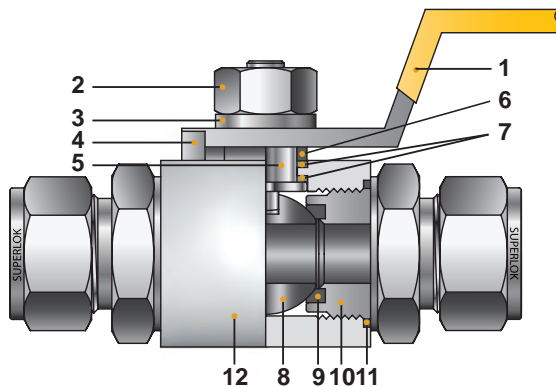
### Specifications

<b>Pressure rating</b>	6000psig (414bar)@70°F (21°C)
<b>Temperature rating</b>	-22 to 265°F (-30 to 130°C) with PVDF seat -65 to 500°F (-54 to 260°C) with PEEK seat
<b>Body material</b>	316 stainless steel and Brass
<b>Port Connections</b>	1/4" to 1" and 6mm to 25mm
<b>Orifice</b>	10.0mm to 19.0mm

### Testing

- Each Valve is tested with nitrogen at 1000psig(69bar) to maximum allowable leak rate of 0.1 SCCM.
- Hydrostatic shell test is performed at 1.5 times of the working pressure. (OPTION)

### Materials of Construction



No.	Component	Material Grade / ASTM Specification
		Stainless Steel
1	Handle	SS304 Lever handle with PVC color coated
2	Lock Nut	Stainless Steel
3	Spring Washer	
4	Pin	
*5	Stem	
6	Stem Washer	SS304 / A479
*7	Stem Packing	PTFE
*8	Ball	SS316 / A479
*9	Seat	PVDF (Standard)
*10	End Connector	SS316 / A479
*11	Connector Seal	PTFE
*12	Body	SS316 / A479

Wetted components are marked "\*"

# Pressure & Temperature Rating

## 2-Way Straight

Valve Series	Materials			Pressure Rating @-54°C to 21°C (-65°F to 70°F)	Temperature Rating
	Seat	Stem Packing	End Connector Seal		
3601	PVDF	PTFE		6000psig (413bar)	-30°C to 130°C(-22°F to 265°F)
	PCTFE				-30°C to 150°C(-22°F to 355°F)
	PEEK				-54°C to 230°C(-65°F to 446°F)
3602 & 3603	PVDF			5000psig (344bar)	-23°C to 191°C(-10°F to 375°F)
	PCTFE				
	PEEK				6000psig (413bar)

## 2-Way Angle & 3-Way

Valve Series	Materials			Pressure Rating @-54°C to 21°C (-65°F to 70°F)	Temperature Rating
	Seat	Stem Packing	End Connector Seal		
3601	PVDF	PTFE	VITON	4000psig(275bar)	-30°C to 130°C(-22°F to 265°F)
	PCTFE				-30°C to 150°C(-22°F to 355°F)
	PEEK				-54°C to 230°C(-65°F to 446°F)
3602 & 3603	PVDF			3000psig(206bar)	-23°C to 191°C(-10°F to 375°F)
	PCTFE				
	PEEK				4000psig(275bar)

## Ordering Information

Example : **SBVH3602 - S - 12 - PE - SS**

1
2
3
4
5

### 1. Valve Series

- 2-Way straight    ■ 2-Way Angle    ■ 3-Way : Bottom Inlet Port    ■ 3-Way : Side Inlet Port
- SBVH3601        - SBVH3601-A        - SBVH3601-3B        - SBVH3601-3S
- SBVH3602        - SBVH3602-A        - SBVH3602-3B        - SBVH3602-3S
- SBVH3603        - SBVH3603-A        - SBVH3603-3B        - SBVH3603-3S

### 2. End Connection

- S : SUPERLOK Tube Fitting    ■ F : Female Thread    ■ M : Male Thread

### 3. Connection Size

-Tube O.D Designation

Tube O.D (inch)	1/4	3/8	1/2	5/8	3/4	1
Designation	4	6	8	10	12	16

- Pipe Thread Designation

Size(inch)	1/4	3/8	1/2	3/4	1
Screwed BSPT	4N	6N	8N	12N	16N
Screwed NPT	4R	6R	8R	12R	12R

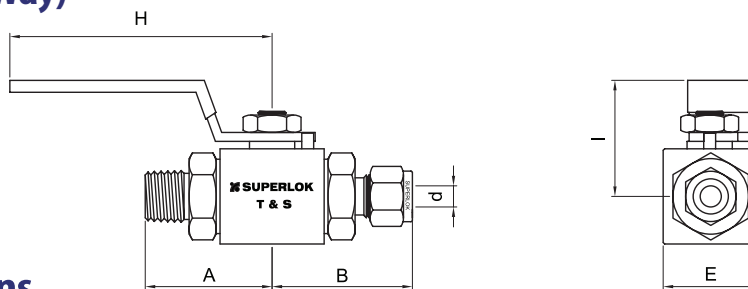
### 4. Seat Material Designator

- Nil: PVDF(Standard)    ■ PC: PCTFE    ■ PE: PEEK

### 5. Material Designator

- SS : 316 Stainless Steel    ■ M : ALLOY (Monel)

**SBVH360 SERIES (2-Way)**



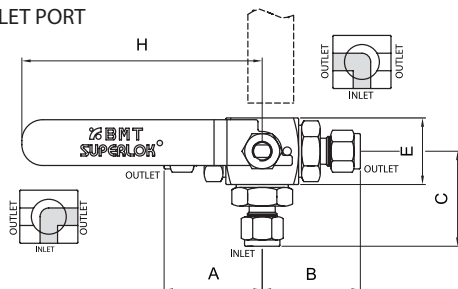
**Table of dimensions**

Order Number		Orifice	Cv	End Connections	Dimensions (mm)				
Series	Part No.				A	B	I	H	d (min)
SBVH3601	S	4	1.2	1/4" SUPERLOK	45.7	45.7	91.4	105	4.8
	S	6		3/8" SUPERLOK	47.5	47.5	94.4		7.1
	S	8		1/2" SUPERLOK	49.8	49.8	99.6		10.0
	F	4N	7.5	1/4" FEMALE NPT	37.0	37.0	74.0		
	F	6N		3/8" FEMALE NPT	38.0	38.0	76.0		
	F	8N		1/2" FEMALE NPT	41.5	41.5	83.0		
	M	4N	3.7	1/4" MALE NPT	42.1	42.1	84.2		7.1
	M	6N		3/8" MALE NPT	42.1	42.1	84.2		9.65
	M	8N		1/2" MALE NPT	47.0	47.0	94.0		10.0
SBVH3602	F	8N	10.0	1/2" FEMALE NPT	45.5	45.5	91.0	125	12.7
	F	12N		3/4" FEMALE NPT	51.0	51.0	102.0		
	M	12N		3/4" MALE NPT	52.5	52.5	105.0		
	S	10		5/8" SUPERLOK	54.0	54.0	108.0		
	S	12		3/4" SUPERLOK	54.0	54.0	108.0		
SBVH3603	F	12N	30.0	3/4" FEMALE NPT	54.0	54.0	108.0	149	20.0
	F	16N		1" FEMALE NPT	62.5	62.5	125.0		
	S	12	19.0	3/4" SUPERLOK	61.9	61.9	123.8		15.74
	S	16	30.0	1" SUPERLOK	66.4	66.4	132.8		20.0
	M	12N	19.0	3/4" MALE NPT	59.0	59.0	118.0		15.74
	M	16N	30.0	1" MALE NPT	63.8	63.8	127.6		20.0

All dimensions are for reference only, subject to change

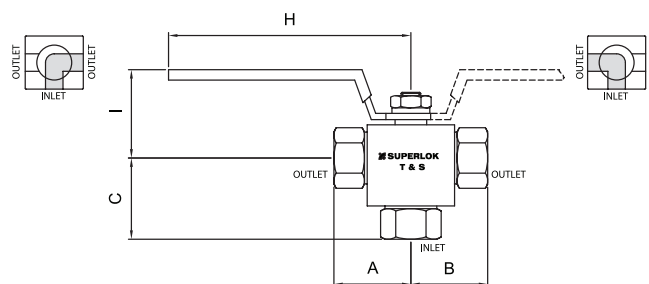
**SBVH360-3S SERIES (3-Way)**

SIDE INLET PORT



**SBVH360-3B SERIES (3-Way)**

BOTTOM INLET PORT



**Table of dimensions**

Order Number		Orifice	End Connections	Dimensions (mm)					
Series	Part No.			A	B	I	H	C	
SBVH3601-3B & SBVH3601-3S	S	4	10.0	1/4" SUPERLOK	45.7	45.7	91.4	105	53.3
	S	6		3/8" SUPERLOK	47.2	47.2	94.4		54.8
	S	8		1/2" SUPERLOK	49.8	49.8	99.6		54.0
	F	4N		1/4" FEMALE NPT	37.0	37.0	74.0		36.5
	F	6N		3/8" FEMALE NPT	38.0	38.0	76.0		40.0
	F	8N		1/2" FEMALE NPT	41.5	41.5	83.0		44.0
SBVH3602-3B & SBVH3602-3S	S	10	12.7	5/8" SUPERLOK	54.0	54.0	108.0	125	65.3
	S	12		3/4" SUPERLOK	54.0	54.0	108.0		65.3
	F	8N		1/2" FEMALE NPT	45.5	45.5	91.0		49.5
	F	12N		3/4" FEMALE NPT	51.0	51.0	102.0		55.0
SBVH3603-3B & SBVH3603-3S	S	12	19.0	3/4" SUPERLOK	61.9	61.9	123.8	149	69.8
	S	16		1" SUPERLOK	66.4	66.4	132.8		69.8
	F	12N		3/4" FEMALE NPT	59.0	59.0	118.0		56.5
	F	16N		1" FEMALE NPT	63.8	63.8	127.6		60.6